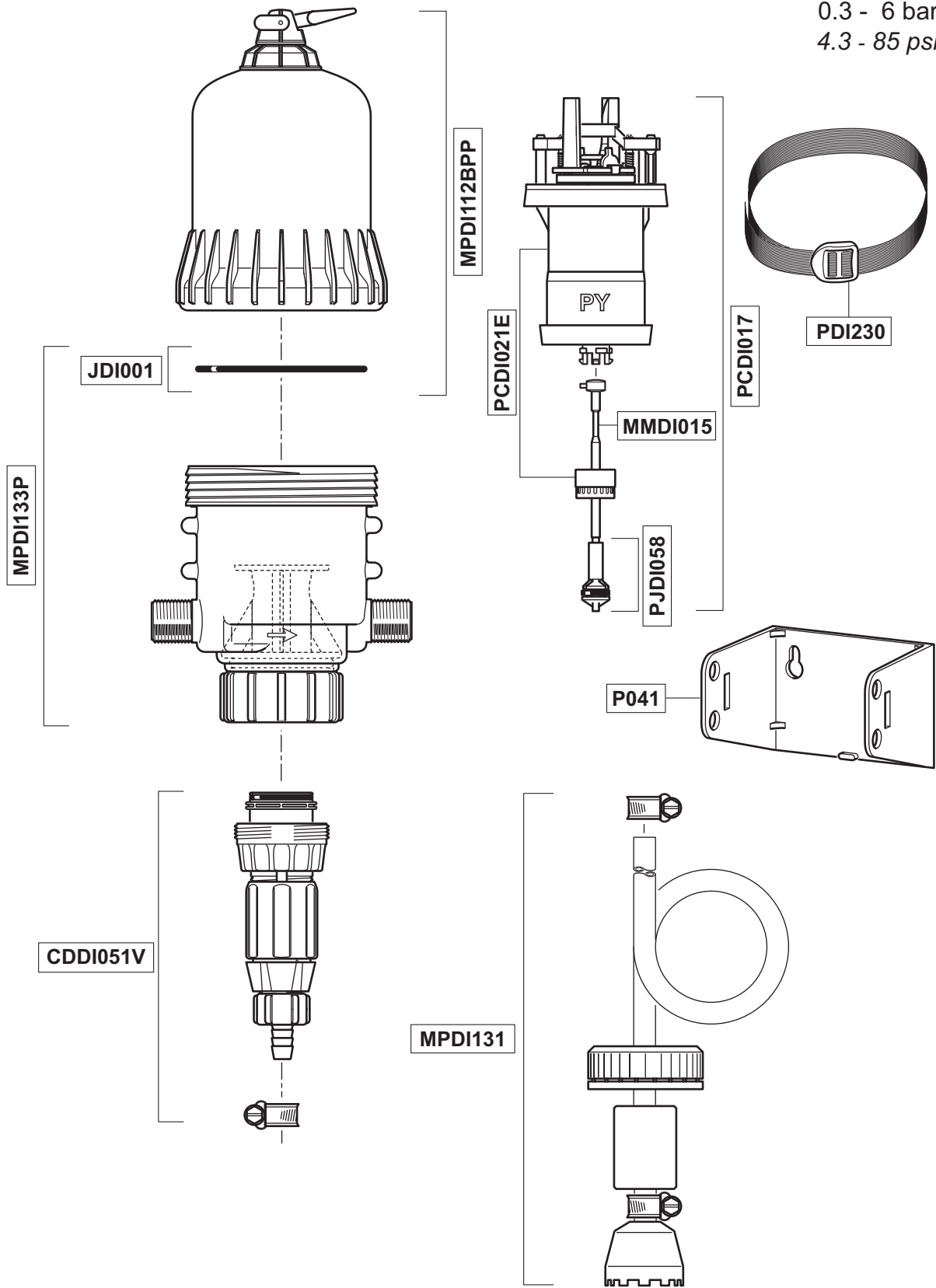


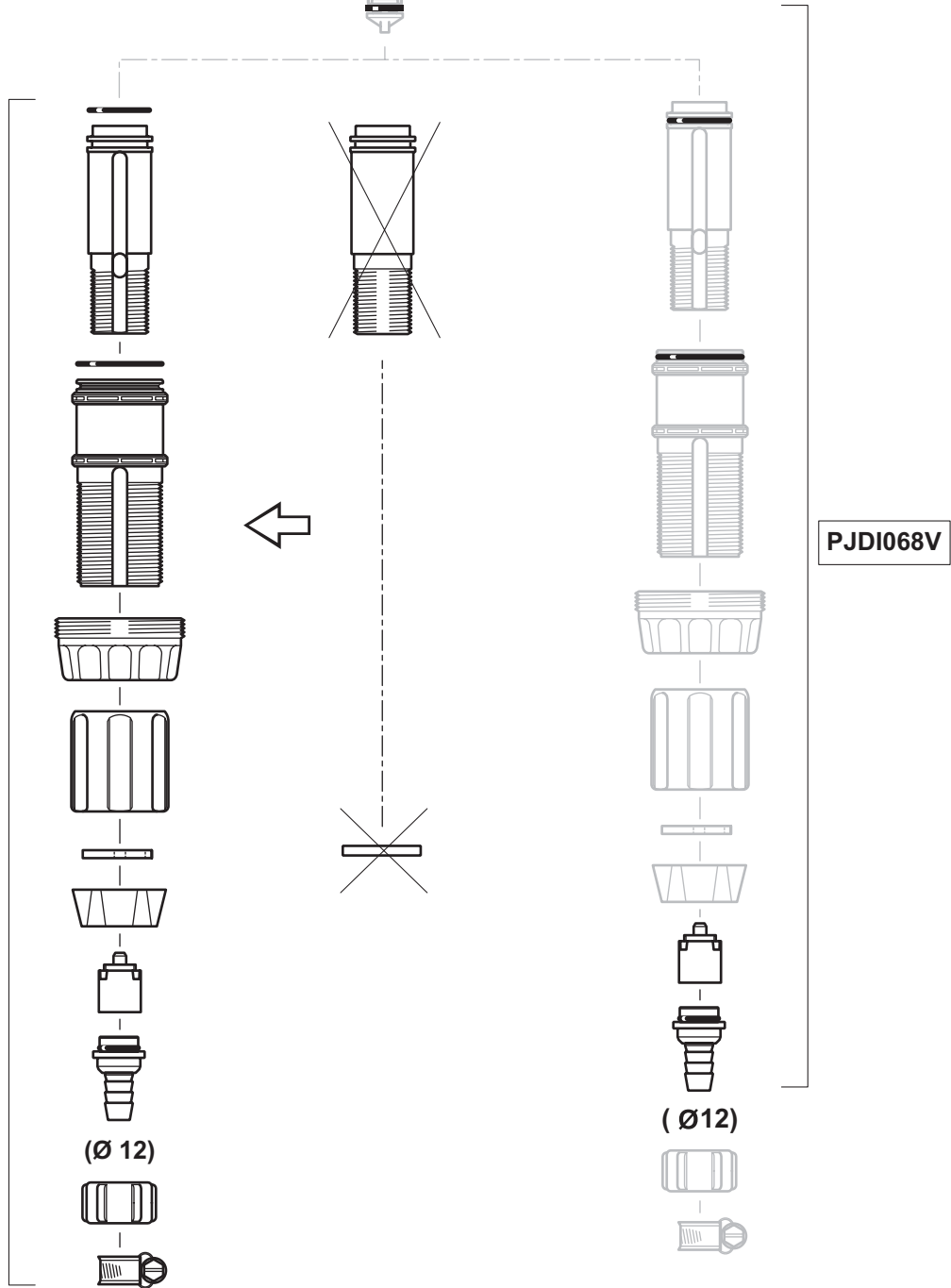
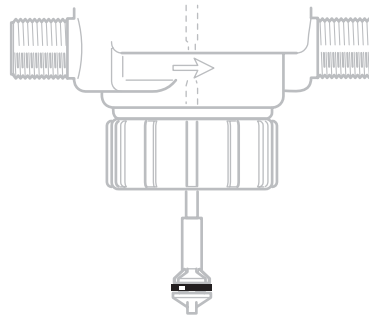
DI2BPVFPYG

2.5 m³/h - 0.5 - 2%
11 GPM - 1:200 - 1:50
0.3 - 6 bar
4.3 - 85 psi



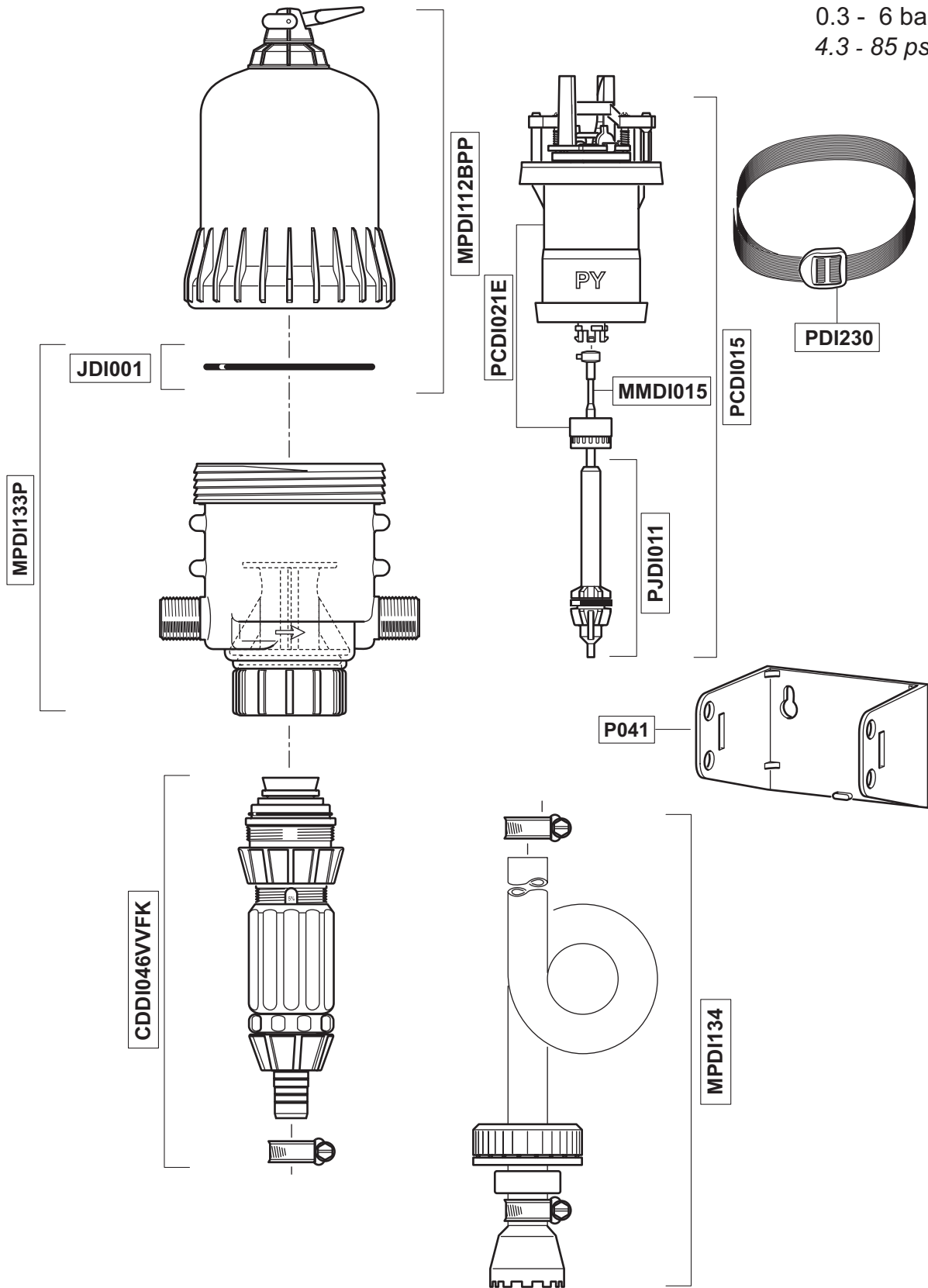
DI2BPVFPYG

2.5 m³/h - 0.5 - 2%
11 GPM - 1:200 - 1:50
0.3 - 6 bar
4.3 - 85 psi



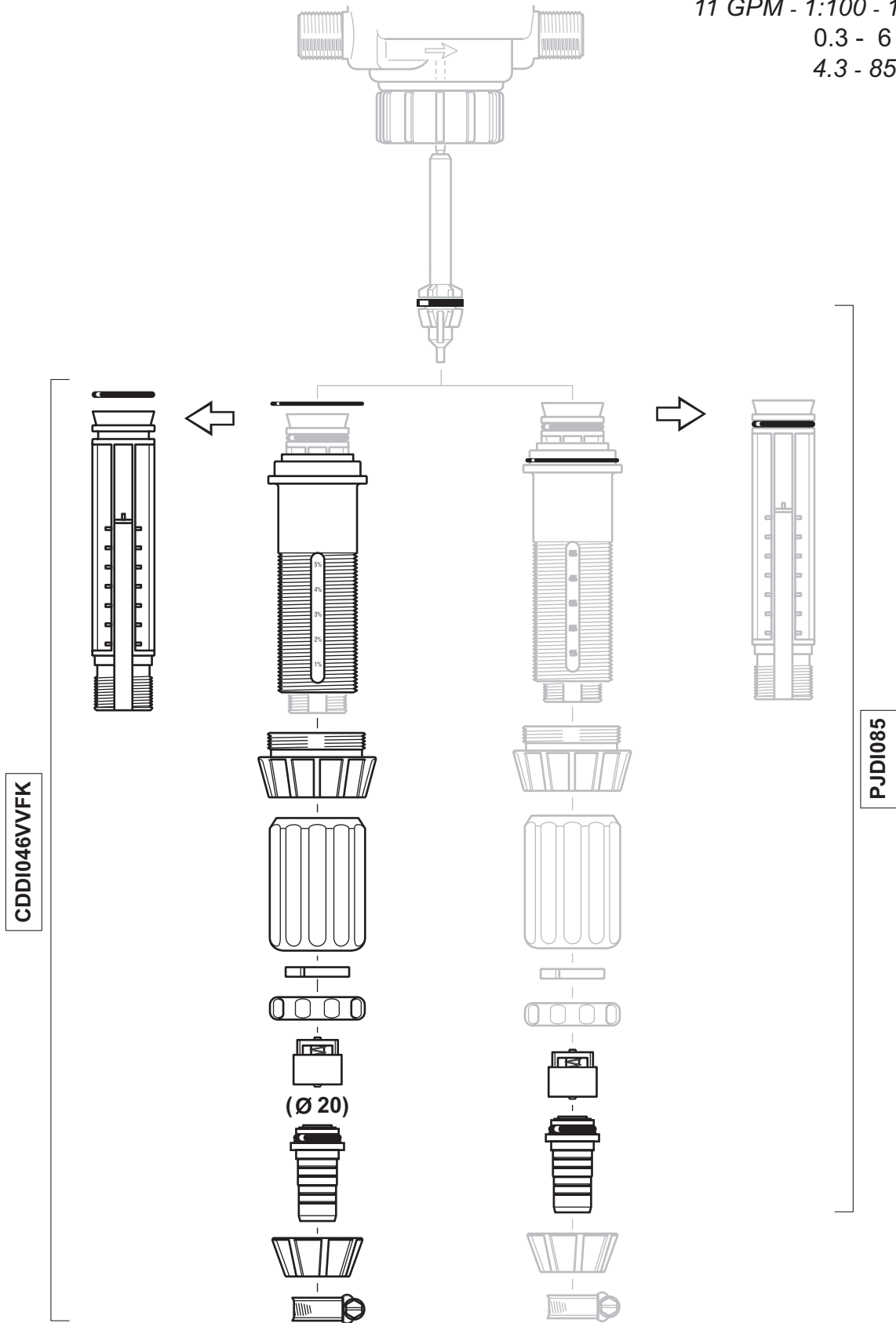
DI150BPVVFPYG

2.5 m³/h - 1 - 5%
11 GPM - 1:100 - 1:20
0.3 - 6 bar
4.3 - 85 psi



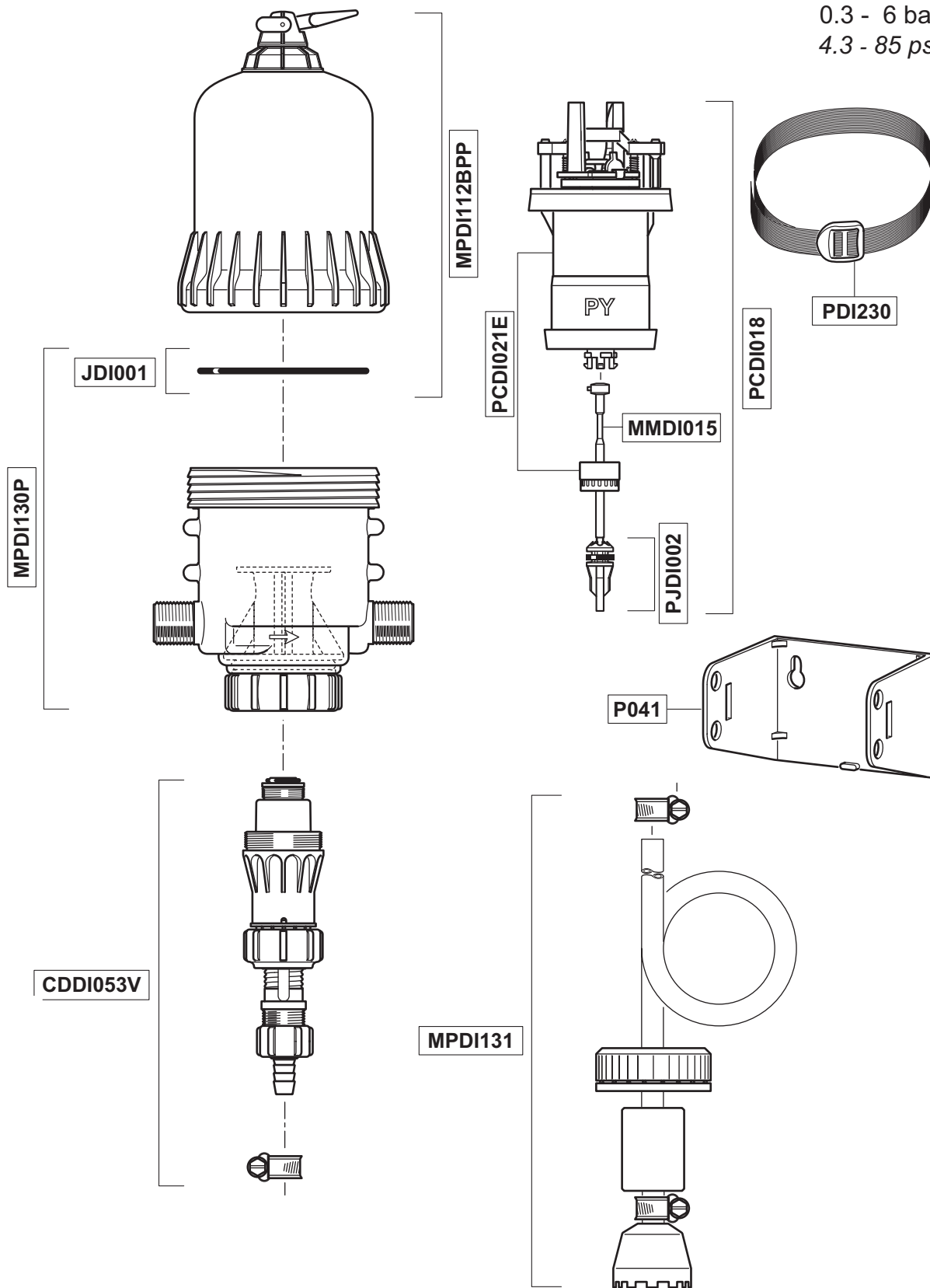
DI150BPVVFPYG

2.5 m³/h - 1 - 5%
11 GPM - 1:100 - 1:20
0.3 - 6 bar
4.3 - 85 psi



DI16BPVVFPYG

2.5 m³/h - 0.2 - 1.6%
11 GPM - 1:500 - 1:64
0.3 - 6 bar
4.3 - 85 psi



DI16BPVVFPYG

2.5 m³/h - 0.2 - 1.6%
11 GPM - 1:500 - 1:64
0.3 - 6 bar
4.3 - 85 psi

